



937 BURNT MEADOW ROAD

HEWITT, NJ 07421

973-728-1667

SALES@NORTHEASTCONCRETE.NET

<https://www.northeastconcrete.net/>



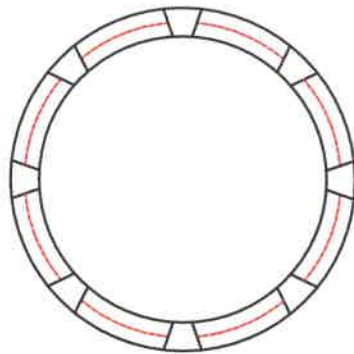
NORTHEAST CONCRETE PRODUCTS, LLC

937 Burnt Meadow Road
P.O. Box 963 • Hewitt, NJ 07421
Office (973) 728-1667 • Fax (973) 728-2662

SEEPAGE PITS

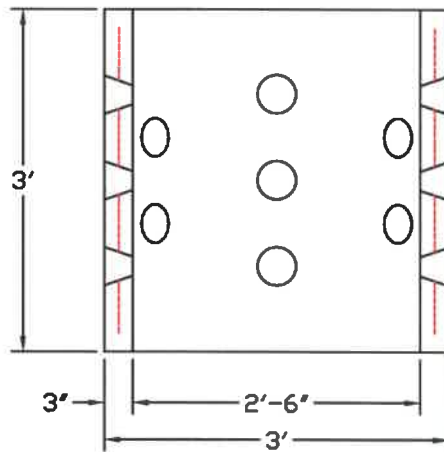
1. 3' X 3' LD SEEPAGE PIT RING
2. 500 GAL. LD SEEPAGE PIT
3. 1000 GAL. LD SEEPAGE PIT
4. 8' X 3' LD SEEPAGE PIT
5. 8' X 4' LD SEEPAGE PIT
6. 8' X 6' LD SEEPAGE PIT
7. 8' X 8' LD SEEPAGE PIT
8. 8' X 9' LD SEEPAGE PIT
9. 1000 GAL. MED DUTY SEEPAGE PIT
10. 500 GAL. HD DUTY SEEPAGE PIT
11. 1000 GAL. HD SEEPAGE PIT H2O TRAFFIC LOADING
12. 2000 GAL. HD DUTY SEEPAGE PIT
13. 8' X 3' HD SEEPAGE PIT
14. 8' X 4' HD SEEPAGE PIT
15. 8' X 6' HD SEEPAGE PIT
16. 8' X 8' HD SEEPAGE PIT

3' X 3' LIGHT DUTY SEEPAGE RING



PLAN VIEW

UNITS CAN BE STACKED 2 HIGH
CONCRETE COVER AVAILABLE WITH
OR WITHOUT INSP PORT



SECTION VIEW

NOTE

1. CONCRETE TO TEST 4000 P.S.I. @28 DAYS
2. REINFORCEMENT MEETS A.S.T.M.
A-615 fs 60,000, A-185 fs 65,000
3. DESIGNED FOR NON-TRAFFIC AREAS
4. APPROX. WEIGHT 350 LBS.



**NORTHEAST
CONCRETE
PRODUCTS**

937 BURNT MEADOW Rd. HEWITT, NJ 07421
TELEPHONE (973) 728-1667 Fax (973) 728-2662

CONTRACTOR

PROJECT

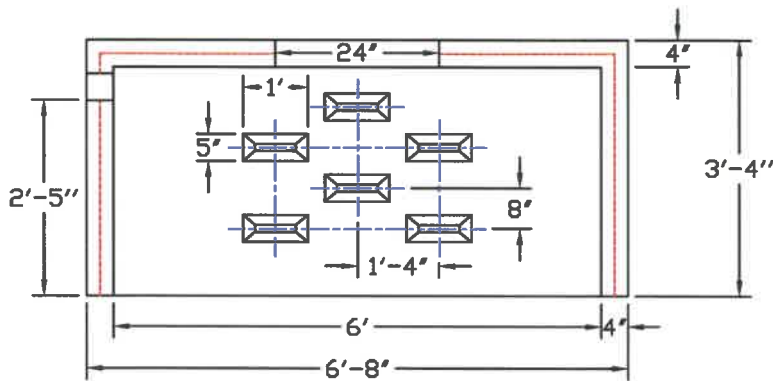
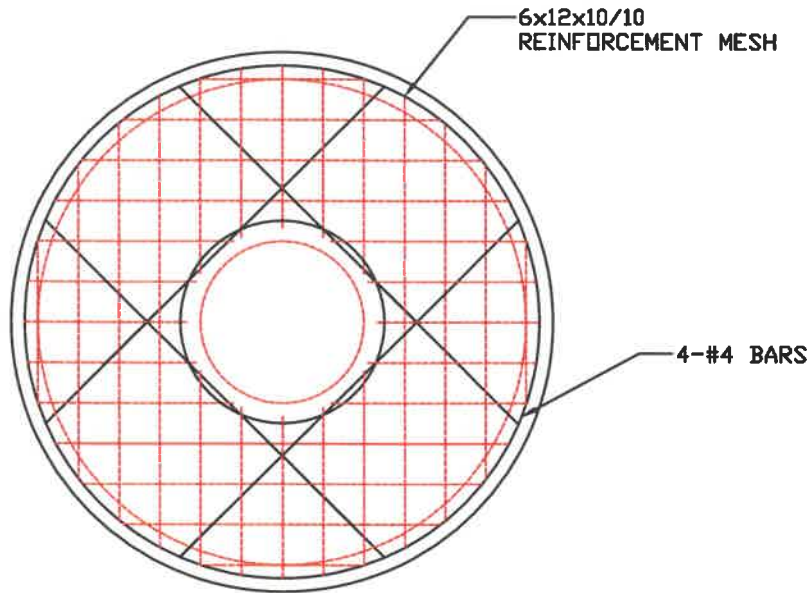
DRWG NO.

3SPRLD

DATE

2003

500 GAL. LIGHT DUTY SEEPAGE PIT



NOTE

1. CONCRETE TO TEST 4000 P.S.I. @28 DAYS
2. REINFORCEMENT MEETS A.S.T.M.
A-615 fs 60,000, A-185 fs 65,000
3. DESIGNED FOR LIGHT
LOADS NON TRAFFIC AREAS
4. APPROX. WEIGHT 5,100 LBS.



**NORTHEAST
CONCRETE
PRODUCTS**

937 BURNT MEADOW Rd. HEWITT, NJ 07421
TELEPHONE (973) 728-1667 Fax (973) 728-2662

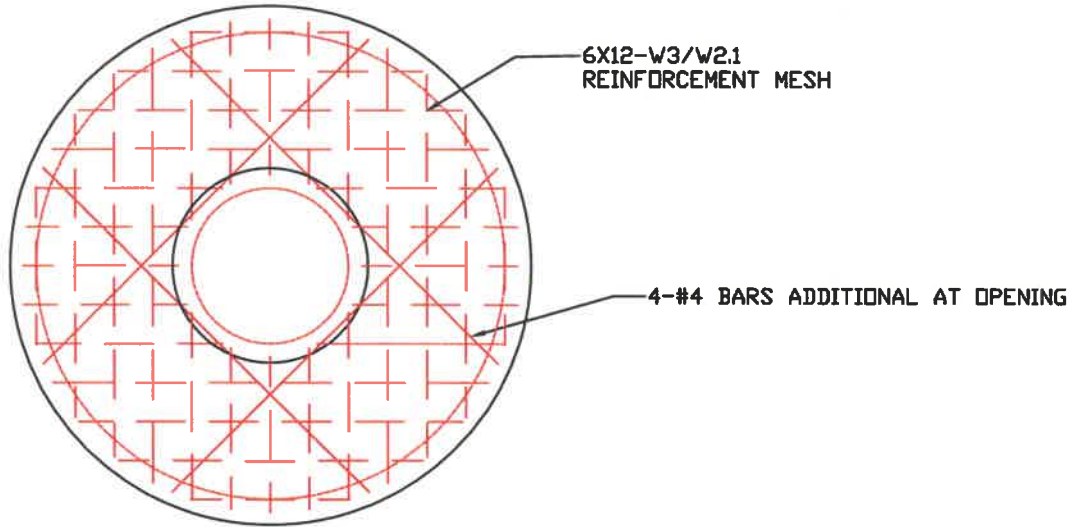
CONTRACTOR

PROJECT

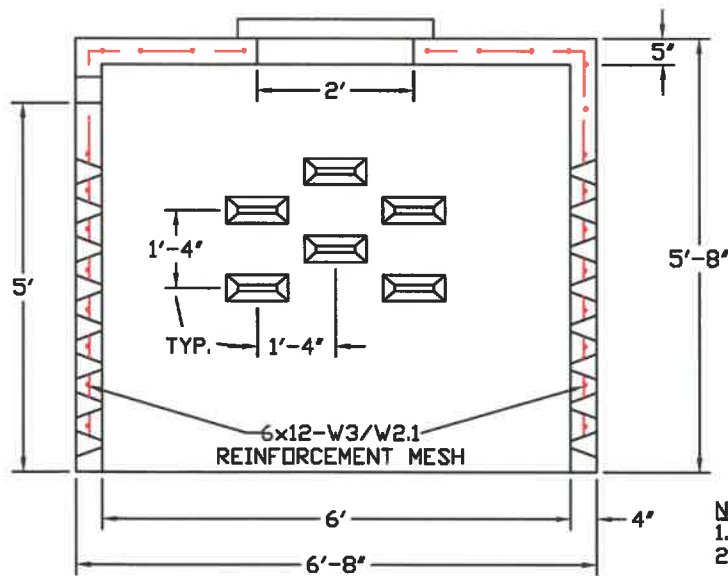
DRWG NO. 500SPLD

DATE

1000 GAL. LIGHT DUTY SEEPAGE PIT



PLAN VIEW



SECTION VIEW

NOTE

1. CONCRETE TO TEST 4000 P.S.I. @28 DAYS
2. REINFORCEMENT MEETS A.S.T.M.
A-615 fs 60,000, A-185 fs 65,000
3. DESIGNED FOR LIGHT
LOADS NON TRAFFIC AREAS
4. APPROX. WEIGHT 6,700 LBS.



**NORTHEAST
CONCRETE
PRODUCTS**

937 BURNT MEADOW Rd. HEWITT, NJ 07421
TELEPHONE (973) 728-1667 Fax (973) 728-2662

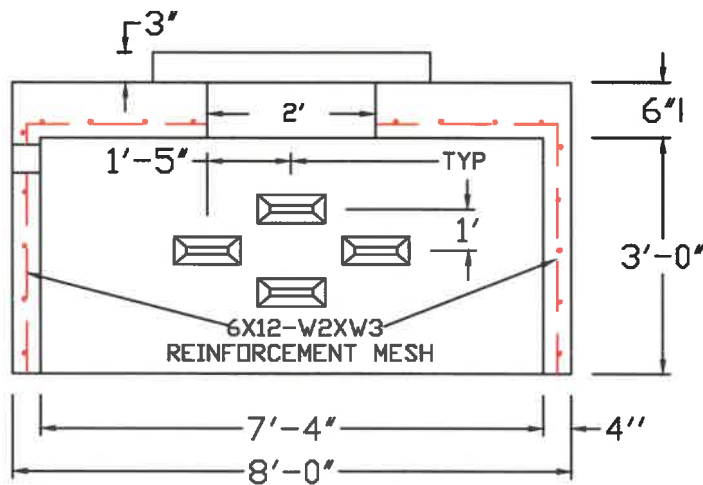
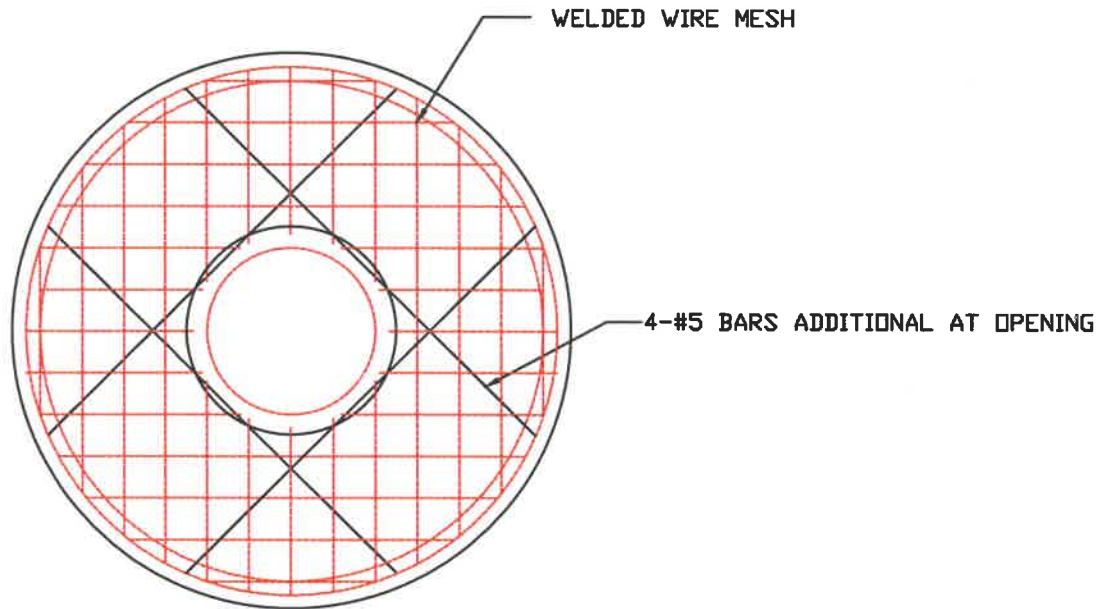
CONTRACTOR

PROJECT

DRWG NO. 1000SPLD

DATE

8' X 3' HIGH SEEPAGE PIT LD



- NOTE**
1. CONCRETE TO TEST 4000 P.S.I. @ 28 DAYS
 2. REINFORCEMENT MEETS A.S.T.M.
A-615 fs 60,000, A-185 fs 65,000
 3. APPROX. WEIGHT RING: 1,900 LBS.
LID: 7,550 LBS.



**NORTHEAST
CONCRETE
PRODUCTS**

937 BURNT MEADOW Rd. HEWITT, NJ 07421
TELEPHONE (973) 728-1667 Fax (973) 728-2662

CONTRACTOR

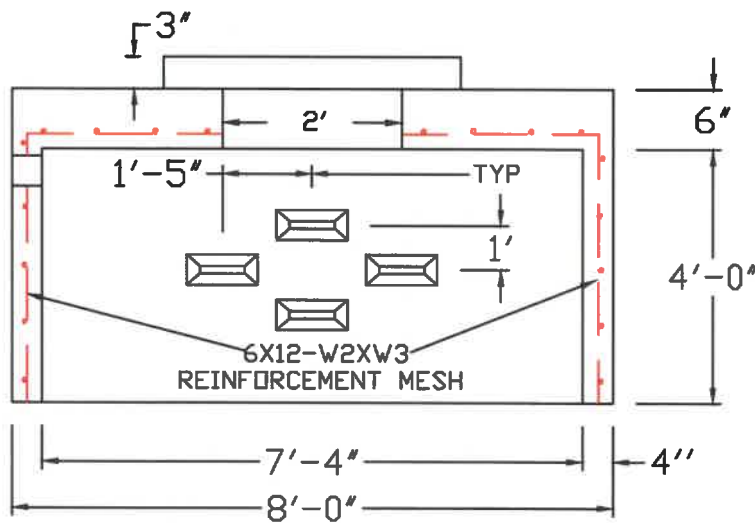
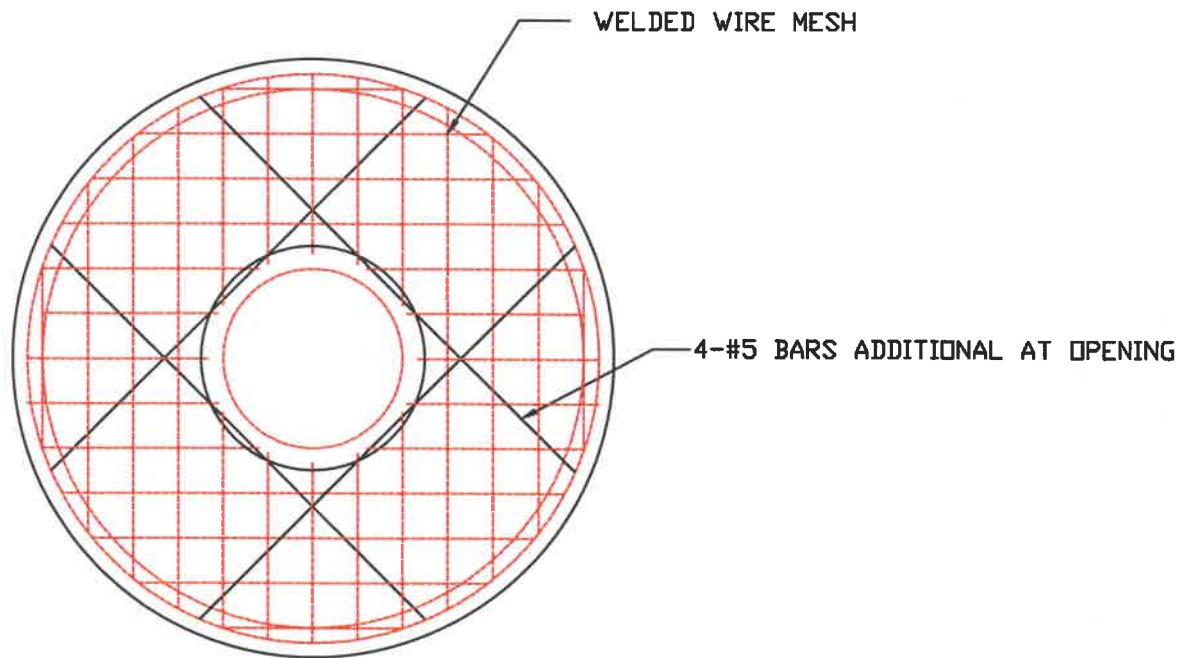
PROJECT

DRWG NO.

SP8X3LD

DATE

8' X 4' HIGH SEEPAGE PIT LD



NOTE

1. CONCRETE TO TEST 4000 P.S.I. @ 28 DAYS
2. REINFORCEMENT MEETS A.S.T.M.
A-615 fs 60,000, A-185 fs 65,000
3. APPROX. WEIGHT RING: 1,900 LBS.
LID: 7,550 LBS.



**NORTHEAST
CONCRETE
PRODUCTS**

937 BURNT MEADOW Rd. HEWITT, NJ 07421
TELEPHONE (973) 728-1667 Fax (973) 728-2662

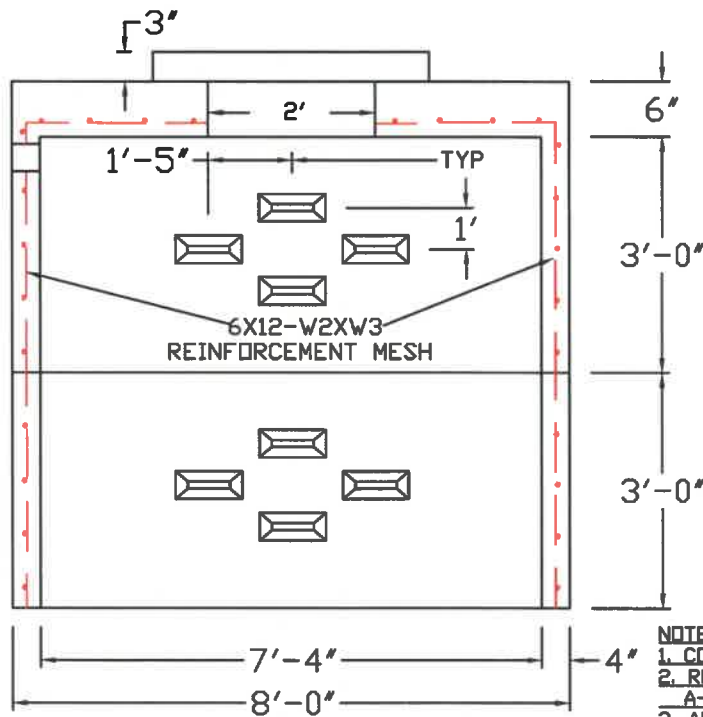
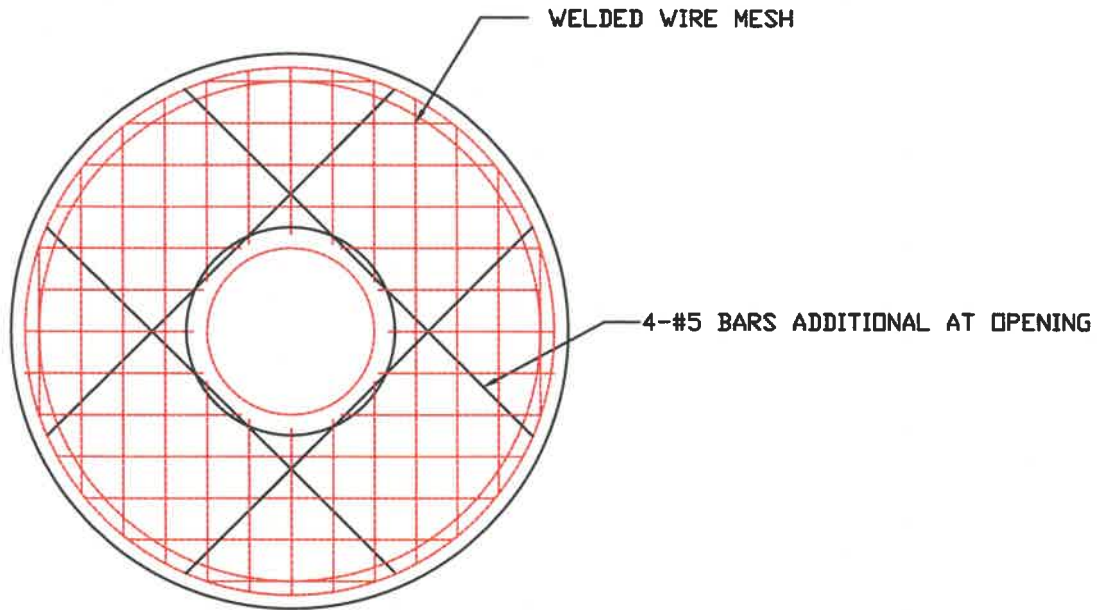
CONTRACTOR

PROJECT

DRWG NO. **SP8X4LD**

DATE

8'D X 6' SEEPAGE PIT LIGHT DUTY



- NOTE**
1. CONCRETE TO TEST 4000 P.S.I. @ 28 DAYS
 2. REINFORCEMENT MEETS A.S.T.M.
A-615 fs 60,000, A-185 fs 65,000
 3. APPROX. WEIGHT RING: 1,900 LBS.
LTD: 7,550 LBS.
 4. 24" GROUND COVER, MAX

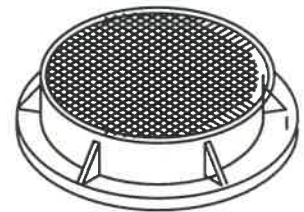
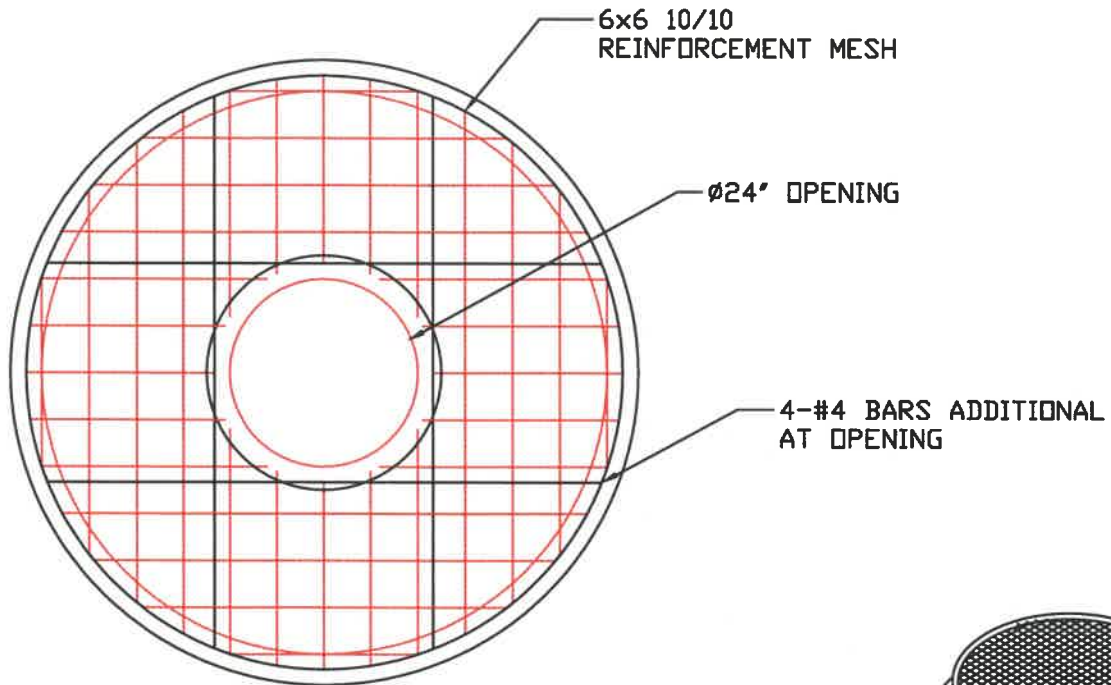


**NORTHEAST
CONCRETE
PRODUCTS**

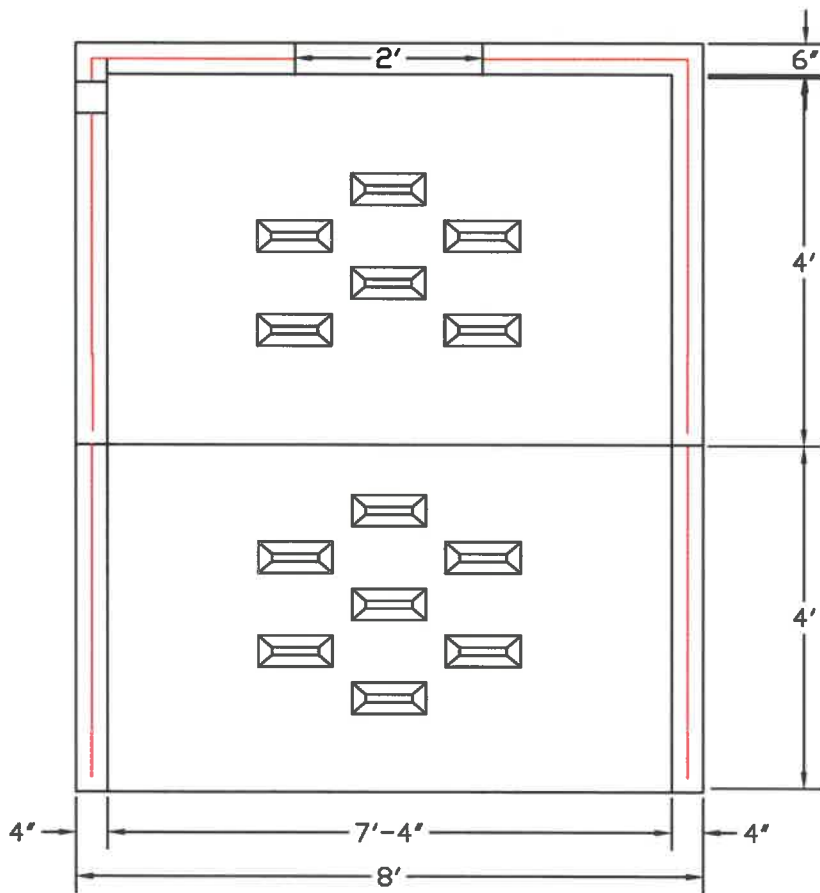
937 BURNT MEADOW Rd. HEWITT, NJ 07421
TELEPHONE (973) 728-1667 Fax (973) 728-2662

CONTRACTOR	
PROJECT	
DRWG NO.	DATE
8DSP6	04/12/2017

8' DIA. X 8' HIGH SEEPAGE PIT L.D.



CAST IRON FRAME AND GRATE
HEAVY DUTY AND LIGHT DUTY
AVAILABLE UPON REQUEST



NOTE

1. CONCRETE TO TEST 4000 P.S.I. @28 DAYS
2. REINFORCEMENT MEETS A.S.T.M.
A-615 fs 60,000, A-185 fs 65,000
3. DESIGNED FOR LIGHT
LOADS NON TRAFFIC AREAS



**NORTHEAST
CONCRETE
PRODUCTS**

937 BURNT MEADOW Rd. HEWITT, NJ 07421
TELEPHONE (973) 728-1667 Fax (973) 728-2662

CONTRACTOR

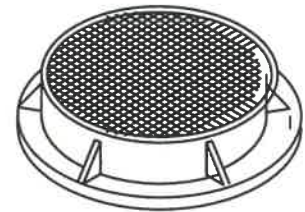
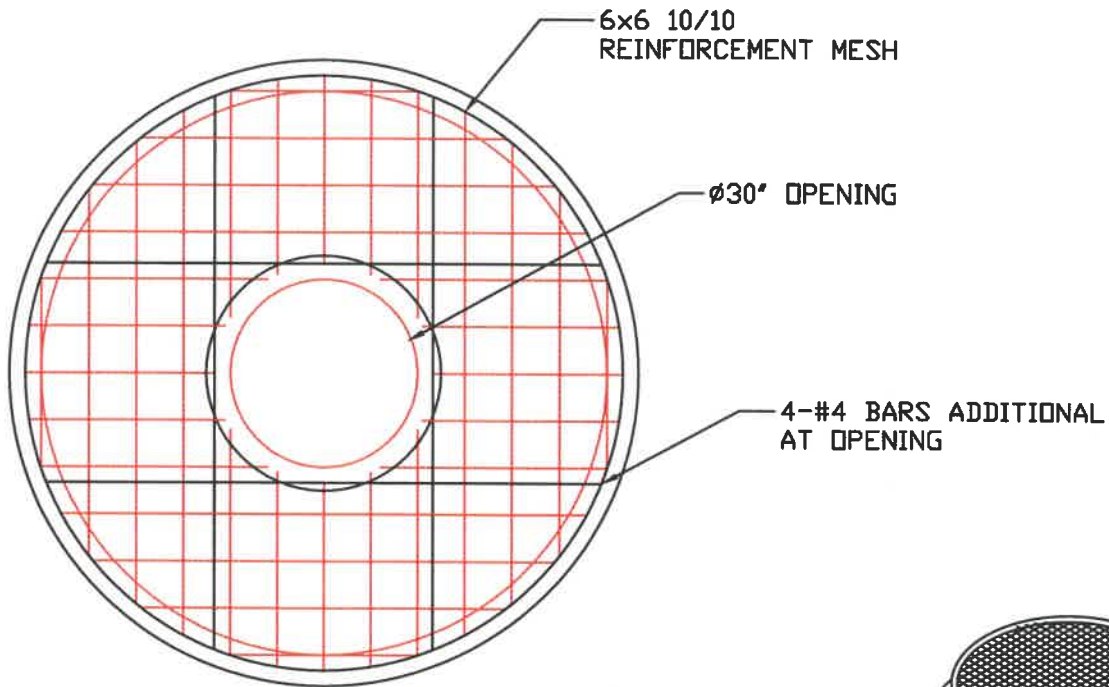
PROJECT

DRWG NO.

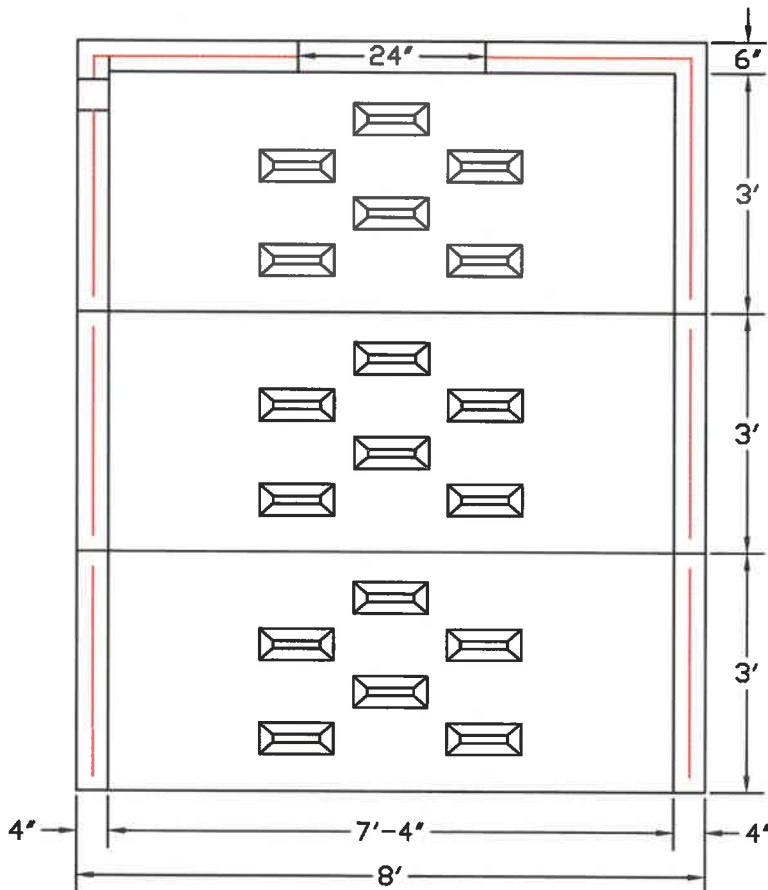
8X8SPLD

DATE

8' DIA. X 9' HIGH SEEPAGE PIT L.D.



CAST IRON FRAME AND GRATE
HEAVY DUTY AND LIGHT DUTY
AVAILABLE UPON REQUEST



- NOTE**
1. CONCRETE TO TEST 4000 P.S.I. @28 DAYS
 2. REINFORCEMENT MEETS A.S.T.M. A-615 fs 60,000, A-185 fs 65,000
 3. DESIGNED FOR LIGHT LOADS NON TRAFFIC AREAS



**NORTHEAST
CONCRETE
PRODUCTS**

937 BURNT MEADOW Rd. HEWITT, NJ 07421
TELEPHONE (973) 728-1667 Fax (973) 728-2662

CONTRACTOR

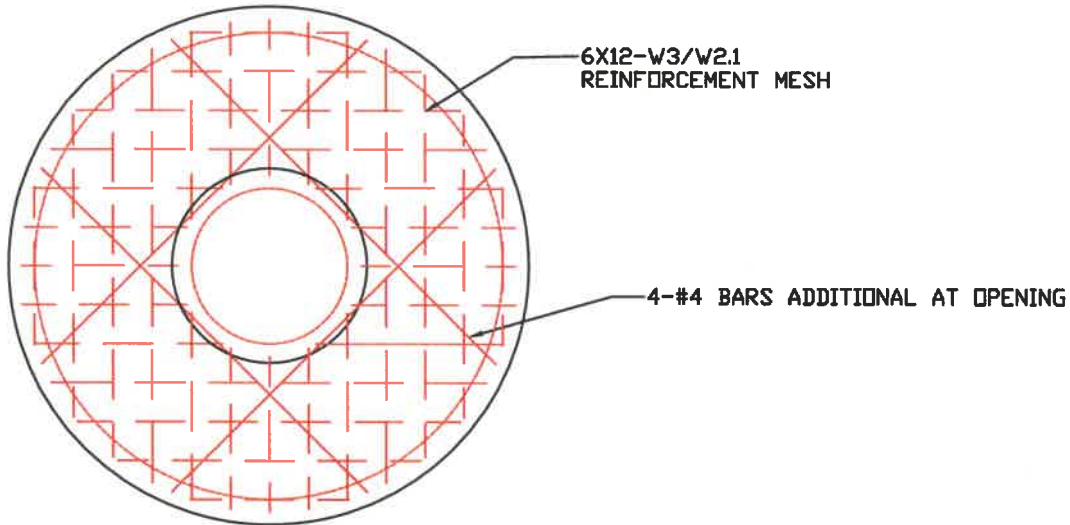
REUTHER MATERIALS

PROJECT

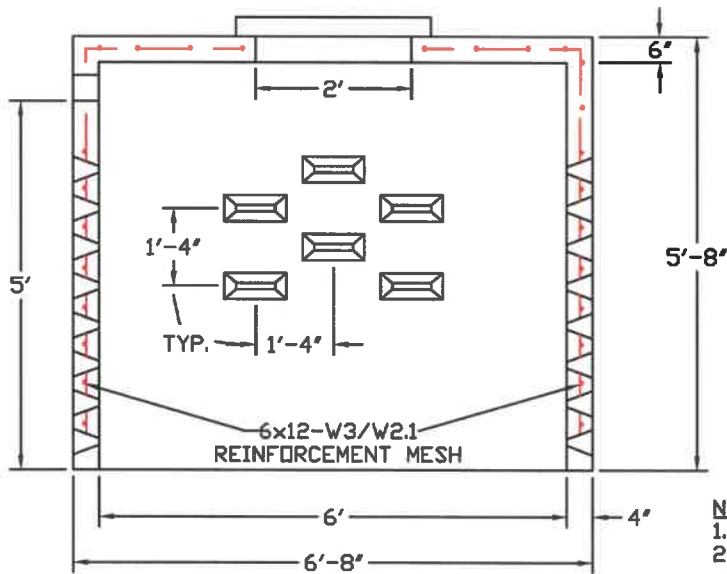
DRWG NO. 8X12SPLD

DATE 12-02-06

1000 GAL. MEDIUM DUTY SEEPAGE PIT



PLAN VIEW



SECTION VIEW

NOTE

1. CONCRETE TO TEST 4000 P.S.I. @28 DAYS
2. REINFORCEMENT MEETS A.S.T.M.
A-615 fs 60,000, A-185 fs 65,000
3. DESIGNED FOR LIGHT
LOADS - RESIDENTIAL PASSENGER TRAFFIC
/ NO IMPACT
4. APPROX. WEIGHT 6,700 LBS.



**NORTHEAST
CONCRETE
PRODUCTS**

937 BURNT MEADOW Rd. HEWITT, NJ 07421
TELEPHONE (973) 728-1667 Fax (973) 728-2662

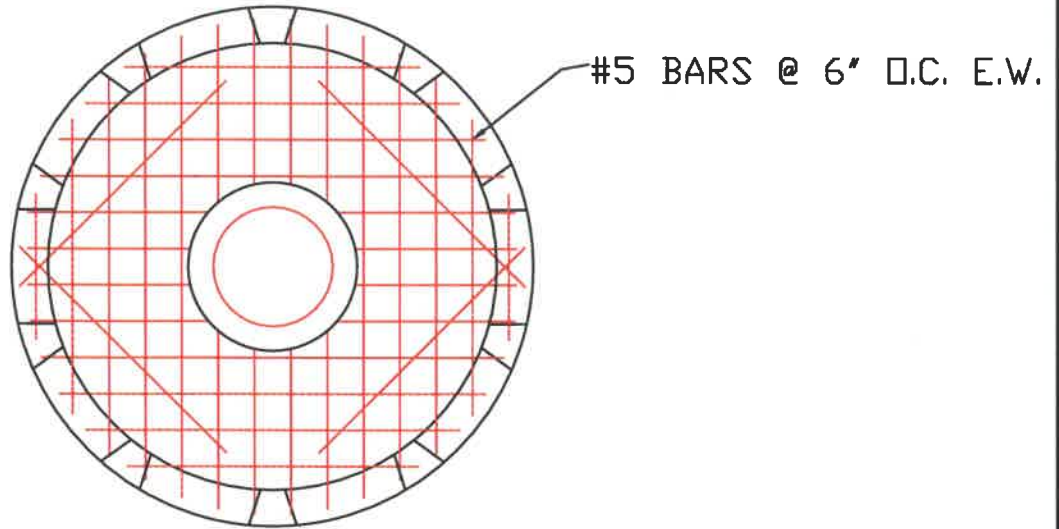
CONTRACTOR

PROJECT

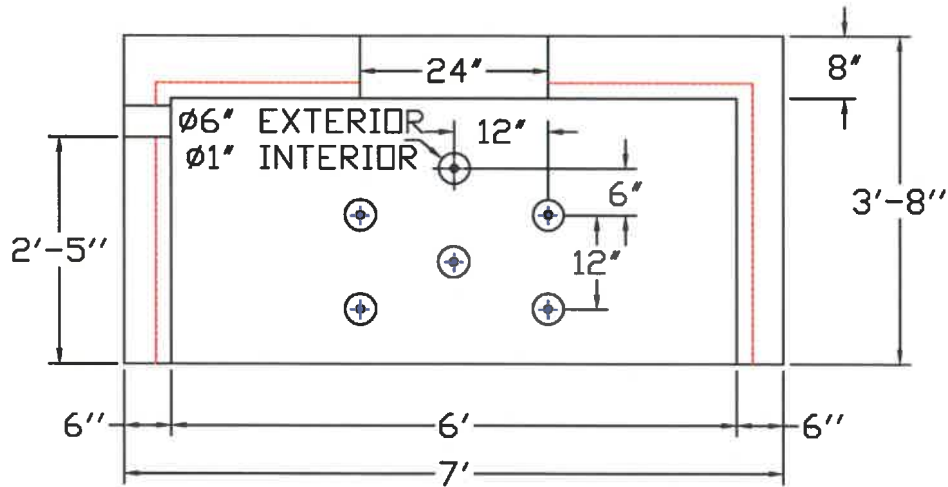
DRWG NO. 1000SPLD

DATE

500 GAL. HEAVY DUTY SEEPAGE PIT



PLAN VIEW



SECTION

NOTE

1. CONCRETE TO TEST 4000 P.S.I. @28 DAYS
2. REINFORCEMENT MEETS A.S.T.M.
A-615 fs 60,000, A-185 fs 65,000
3. DESIGNED FOR H2O LOADS.
4. APPROX. WEIGHT 8,850 LBS.



**NORTHEAST
CONCRETE
PRODUCTS**

937 BURNT MEADOW Rd. HEWITT, NJ 07421
TELEPHONE (973) 728-1667 Fax (973) 728-2662

CONTRACTOR

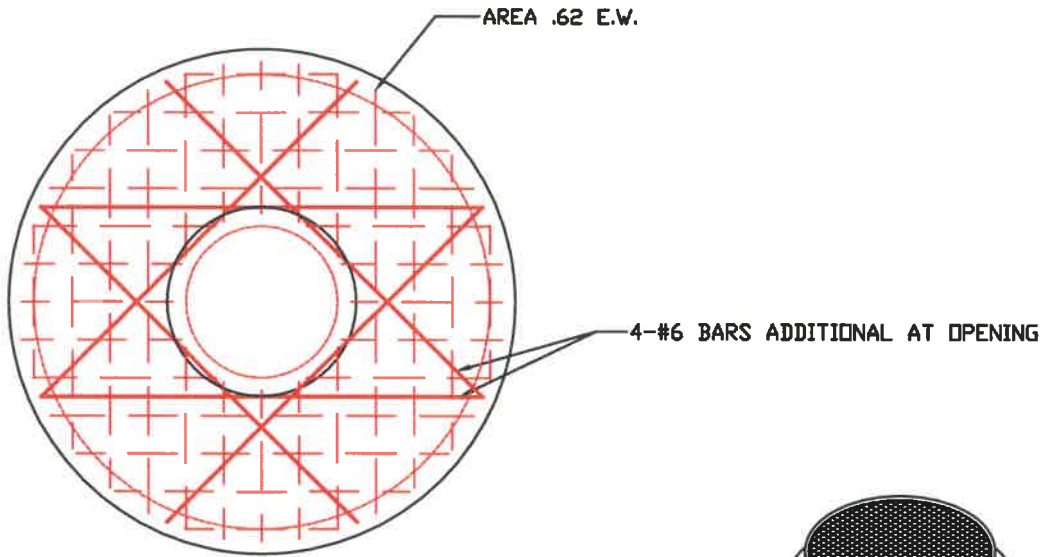
PROJECT

DRWG NO.

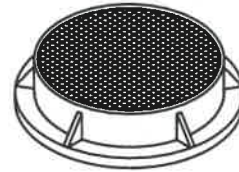
500SPHD

DATE

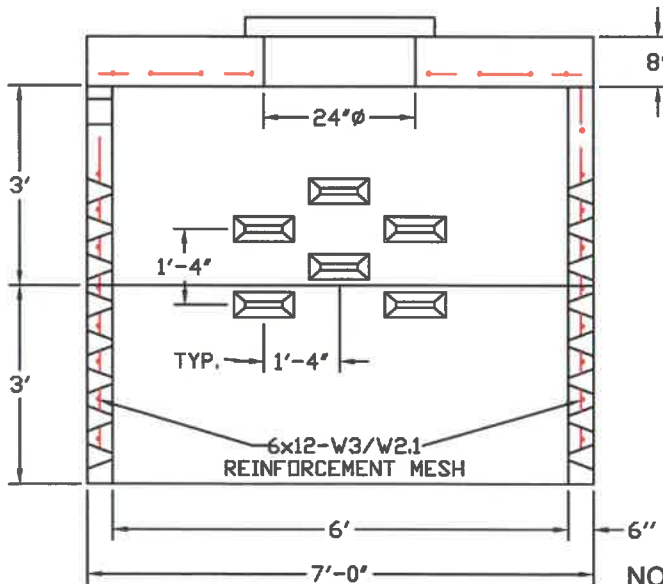
1000 GAL. HEAVY DUTY SEEPAGE PIT H2O TRAFFIC LOADING



PLAN VIEW



CAST IRON FRAME AND GRATE
HEAVY DUTY AND LIGHT DUTY
AVAILABLE UPON REQUEST



SECTION VIEW

NOTE

1. CONCRETE TO TEST 4000 P.S.I. @28 DAYS
2. REINFORCEMENT MEETS A.S.T.M. A-615 fs 60,000, A-185 fs 65,000
3. DESIGNED FOR H2O TRAFFIC AREAS
4. APPROX. WEIGHT 8,700 LBS.



**NORTHEAST
CONCRETE
PRODUCTS**

937 BURNT MEADOW Rd. HEWITT, NJ 07421
TELEPHONE (973) 728-1667 Fax (973) 728-2662

CONTRACTOR

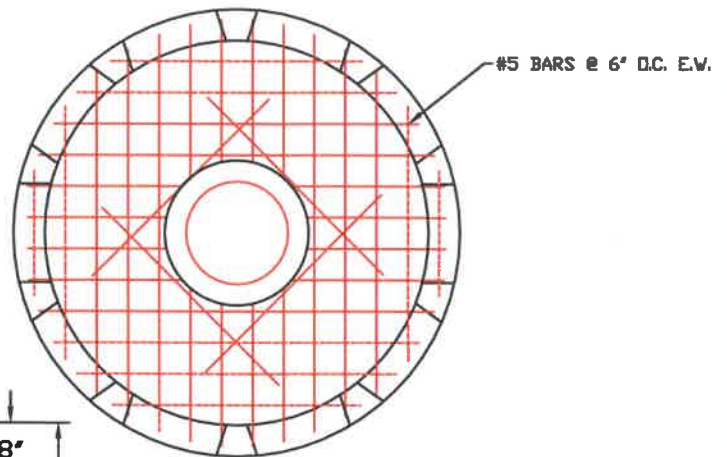
PROJECT

DRWG NO.

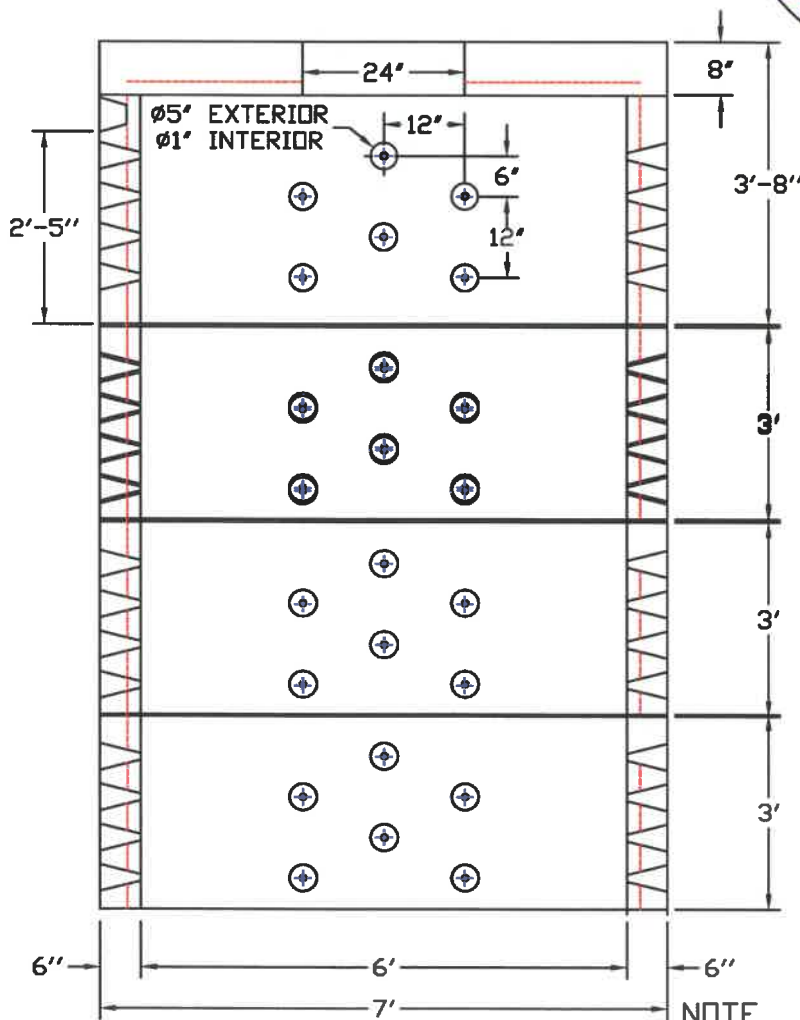
1000SPHD

DATE

2000 GAL. HEAVY DUTY SEEPAGE PIT



PLAN VIEW



SECTION

NOTE

1. CONCRETE TO TEST 4500 P.S.I. @28 DAYS
2. REINFORCEMENT MEETS A.S.T.M. A-615 fs 60,000, A-185 fs 65,000
3. DESIGNED FOR TRAFFIC AREAS
4. APPROX. WEIGHT 8,850 LBS.

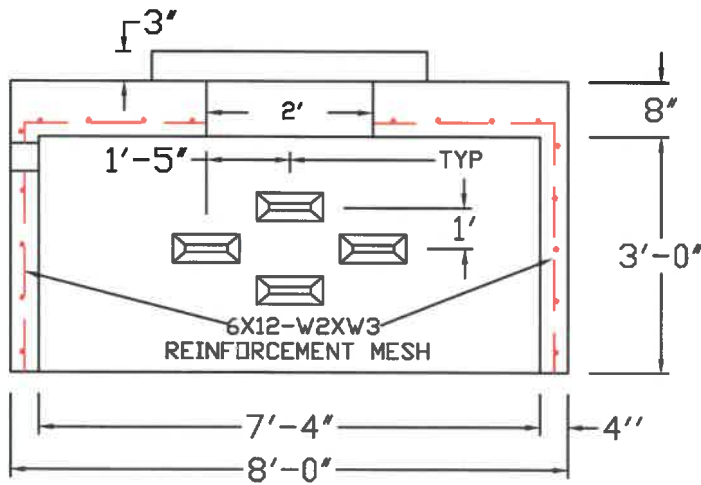
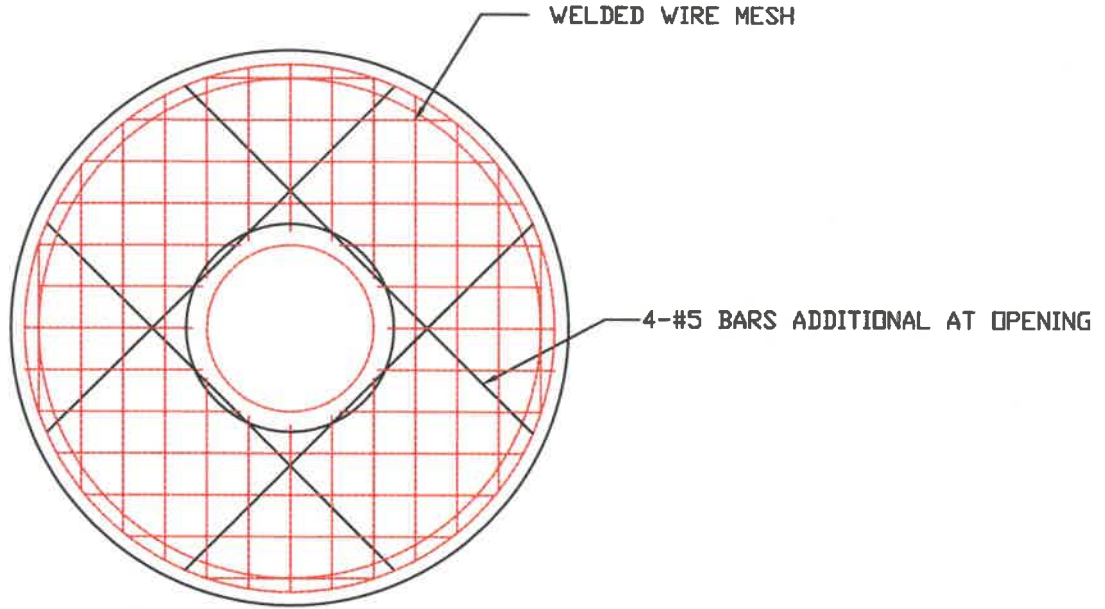


**NORTHEAST
CONCRETE
PRODUCTS**

937 BURNT MEADOW Rd. HEWITT, NJ 07421
TELEPHONE (973) 728-1667 Fax (973) 728-2662

CONTRACTOR	
PROJECT	
DRWG NO. 1000SPHD6	DATE 2003

8' X 3' HIGH SEEPAGE PIT HD



NOTE

1. CONCRETE TO TEST 4000 P.S.I. @ 28 DAYS
2. REINFORCEMENT MEETS A.S.T.M.
A-615 F_s 60,000, A-185 F_s 65,000
3. APPROX. WEIGHT RING: 1,900 LBS.
LID: 7,550 LBS.



**NORTHEAST
CONCRETE
PRODUCTS**

937 BURNT MEADOW Rd. HEWITT, NJ 07421
TELEPHONE (973) 728-1667 Fax (973) 728-2662

CONTRACTOR

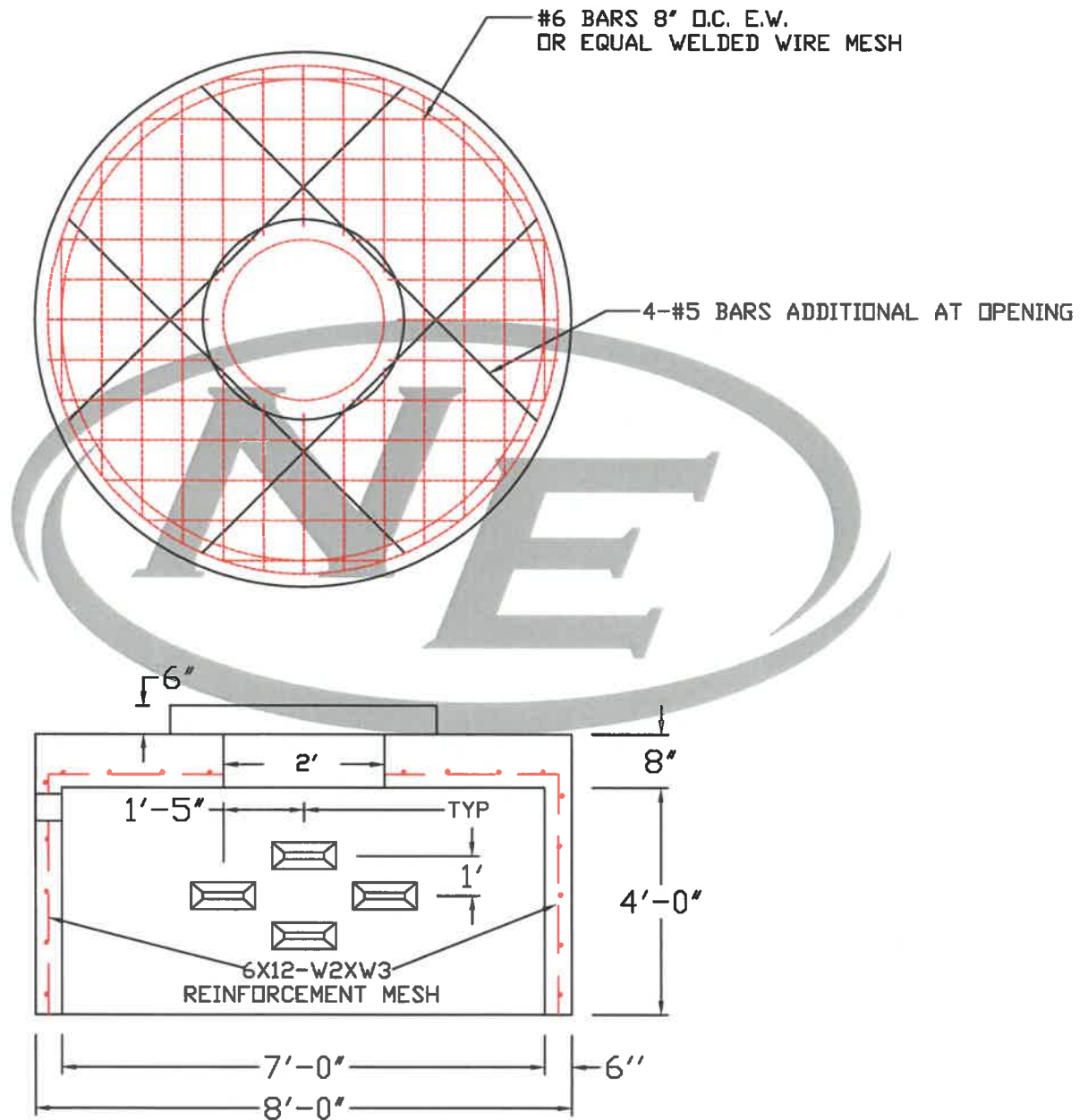
PROJECT

DRWG NO.

SP8X3LD

DATE

8' X 4' HD SEEPAGE PIT



NOTE

1. CONCRETE TO TEST 4500 P.S.I. @ 28 DAYS
2. REINFORCEMENT MEETS A.S.T.M.
A-615 fs 60,000, A-185 fs 65,000
3. DESIGNED FOR AASHTO H-20 LOADING
4. APPROX. WEIGHT 10,200 LBS



**NORTHEAST
CONCRETE
PRODUCTS**

937 BURNT MEADOW Rd. HEWITT, NJ 07421
TELEPHONE (973) 728-1667 Fax (973) 728-2662

CONTRACTOR

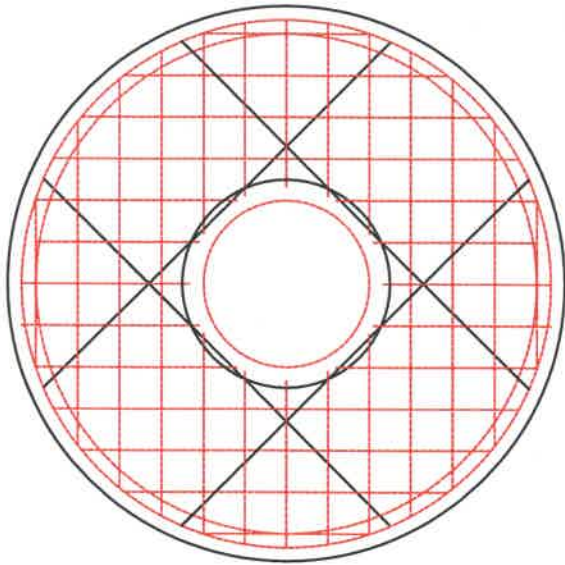
PROJECT

DRWG NO.

4X8HDSP

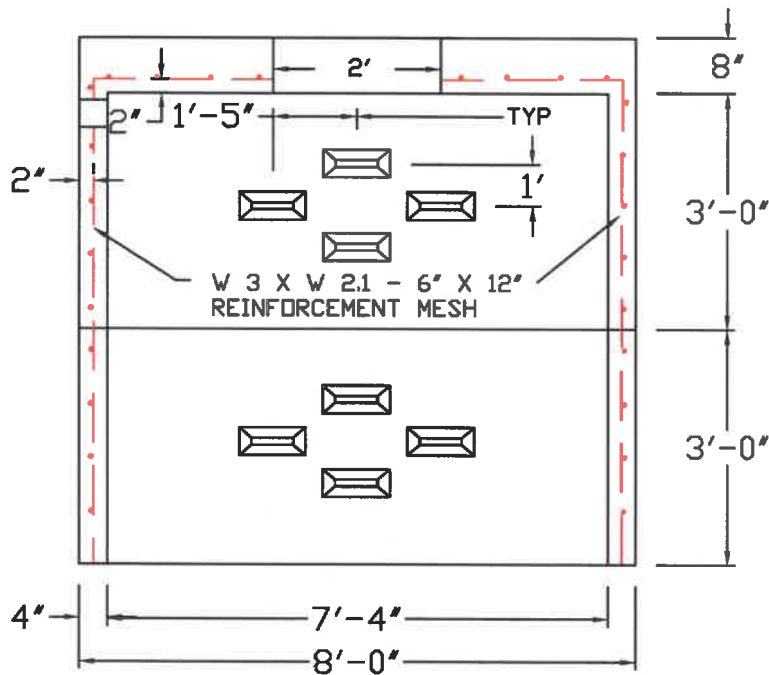
DATE

8' X 6' SEEPAGE PIT HD



NOTE

1. CONCRETE TO TEST 4000 P.S.I. @ 28 DAYS
2. REINFORCEMENT MEETS A.S.T.M.
A-615 fs 60,000, A-185 fs 65,000
3. DESIGNED FOR AASHTO H-20 LOADING
& 12' COVER.



**NORTHEAST
CONCRETE
PRODUCTS**

937 BURNT MEADOW Rd. HEWITT, NJ 07421
TELEPHONE (973) 728-1667 Fax (973) 728-2662

CONTRACTOR

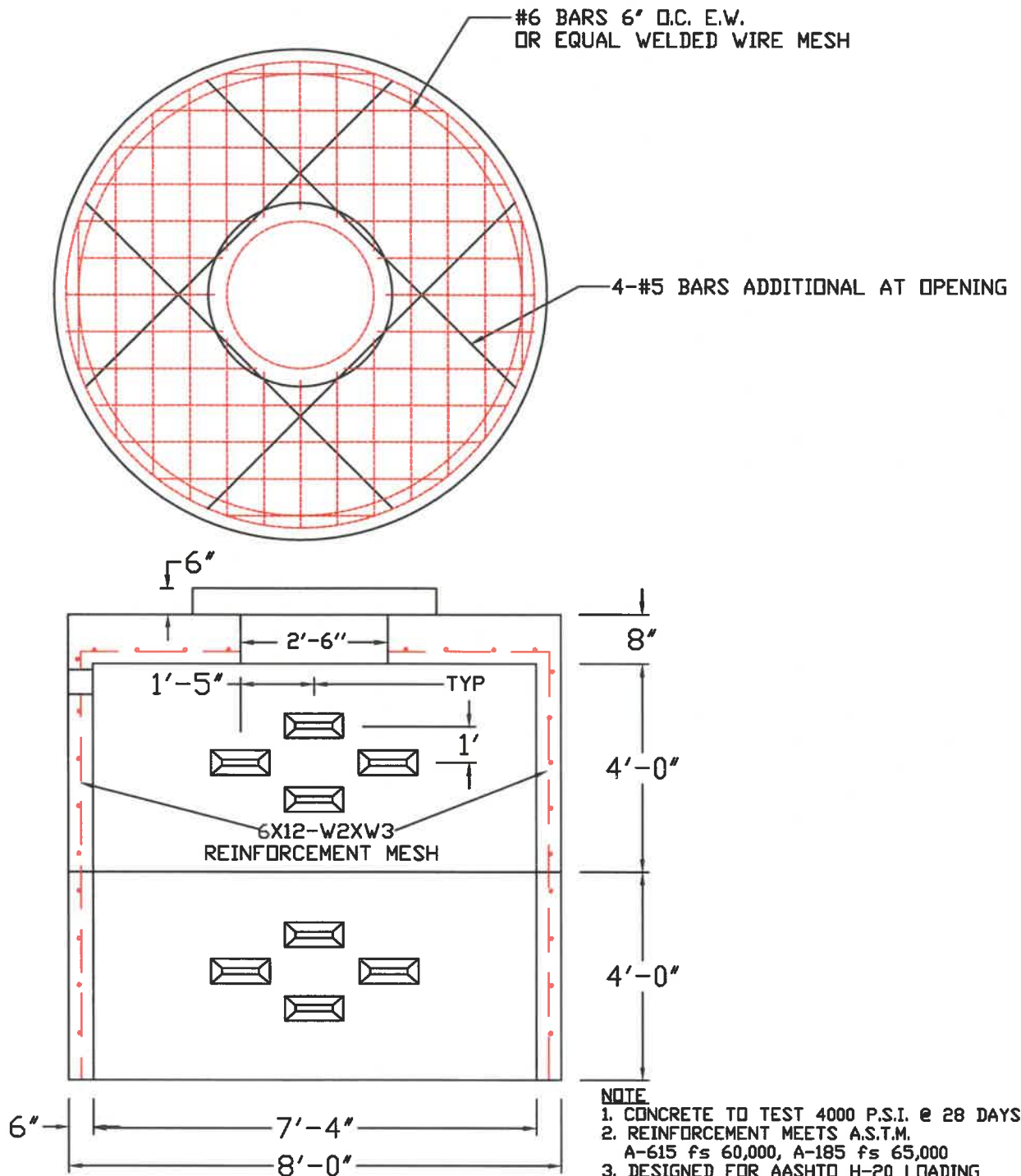
PROJECT

DRWG NO.

8x8SPHHD

DATE

8' X 8' SEEPAGE PIT HEAVY DUTY



**NORTHEAST
CONCRETE
PRODUCTS**

937 BURNT MEADOW Rd. HEWITT, NJ 07421
 TELEPHONE (973) 728-1667 Fax (973) 728-2662

CONTRACTOR	
PROJECT	
DRWG NO.	DATE
8x8SPHD	